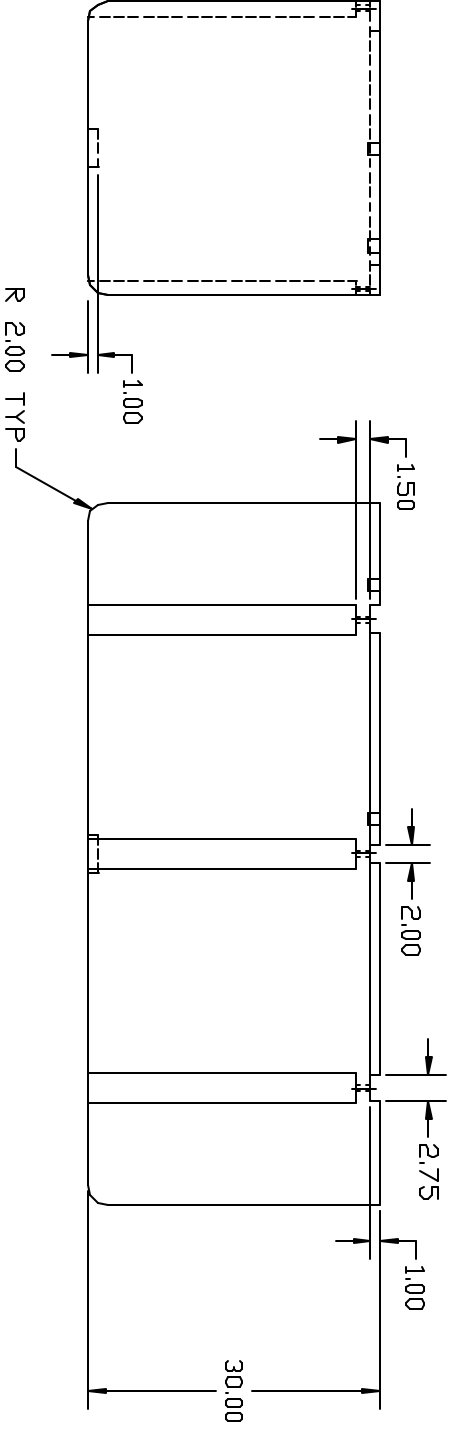
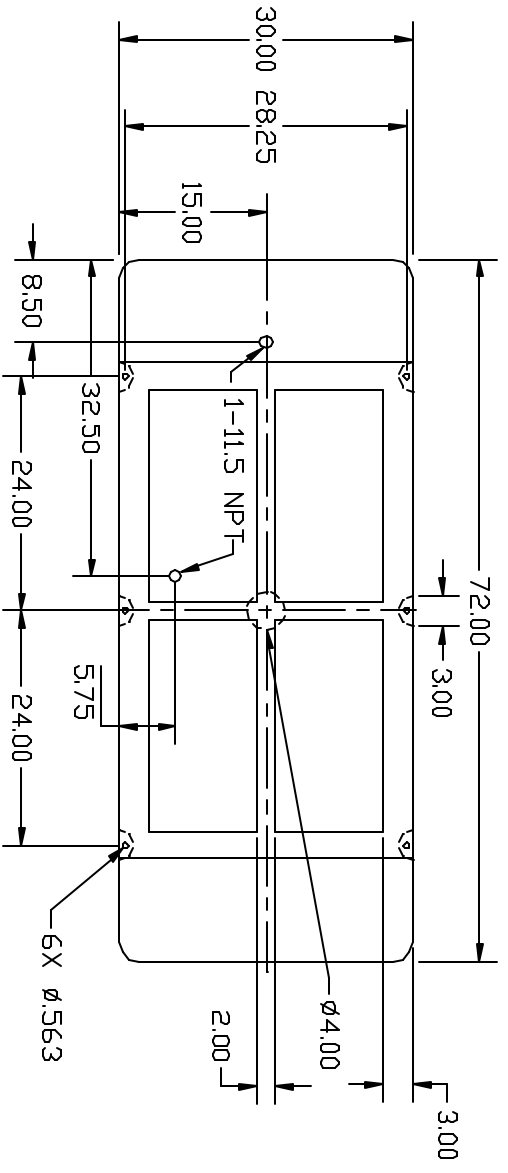


AT 3030-72SQ

B



REV	DESCRIPTION	DATE	APPRD.
B	ADD WEIGHT, BUOY.	8/27/03	DHJ
A	CHANGE TOP PROFILE	2/17/03	

DRAWN / DATE
DHJ 12/31/02

MATERIAL / SHOT WEIGHT
104 LBS.

THIRD ANGLE PROJECTION
ANSI 14.5M

NOTES:
APPROXIMATE BUOYANCY 2100 LBS.

CLIENT / DESCRIPTION
ACE AIR TANK

A DIVISION OF DEN HARTOG INDUSTRIES, INC.

ALL DIMENSIONS ARE IN DECIMAL INCHES
TOLERANCES UNLESS OTHERWISE SPECIFIED
± 1% @ 68° F

SCALE
NONE

PART NO.
AT 3030-72SQ